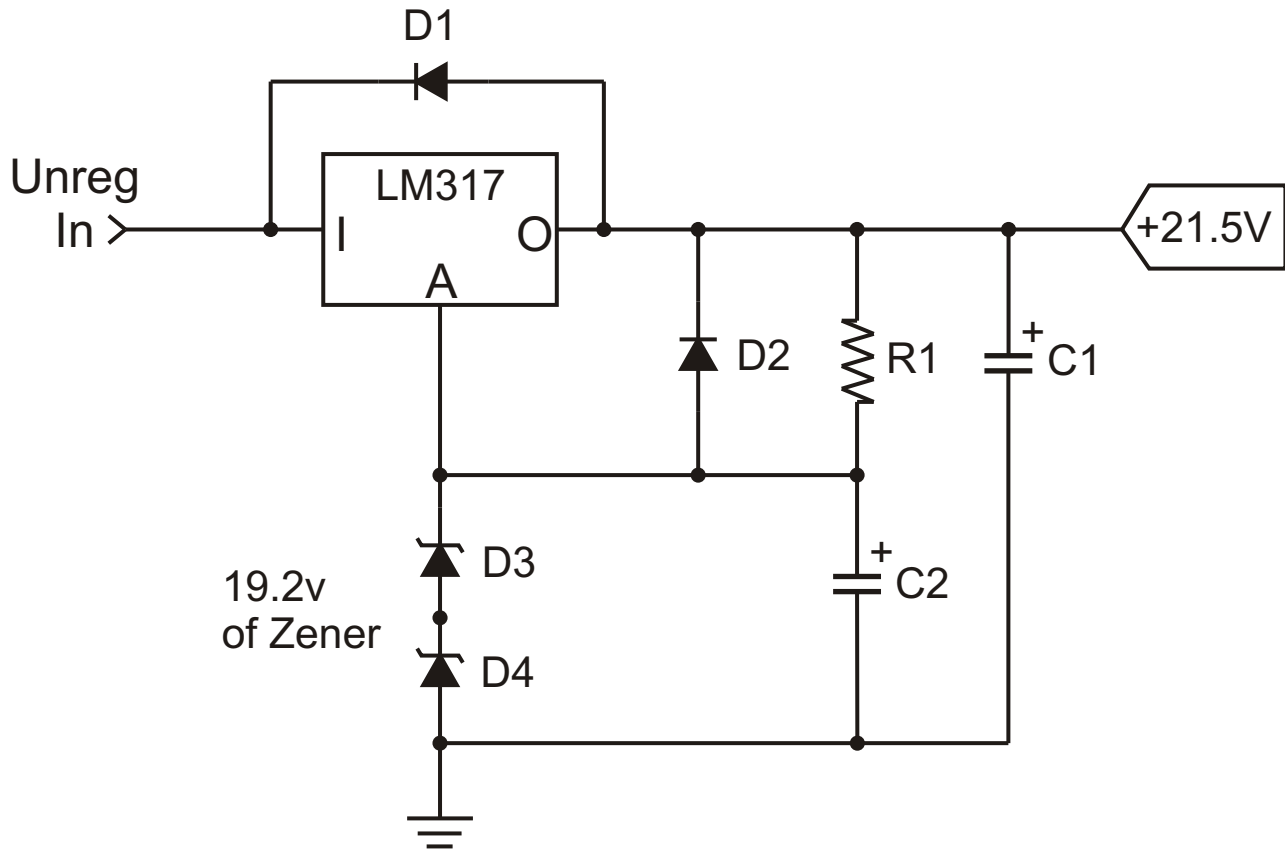


Technics SL-1200 Mk2/5 DIY Regulator



Schematic

Parts List (Farnell Part No)

LM317AT Regulator +1.2/37v, 1.5A, TO-220 3pin form (9489380)
Insulation sheet for above, Mica 0.1mm (520238)

D1/D2 1N4002G Diodes Std Recovery, 1A, 100v, DO-41form (1651083)

D3 1N4741A Zener Diode, 11v, 1W, (1651545)

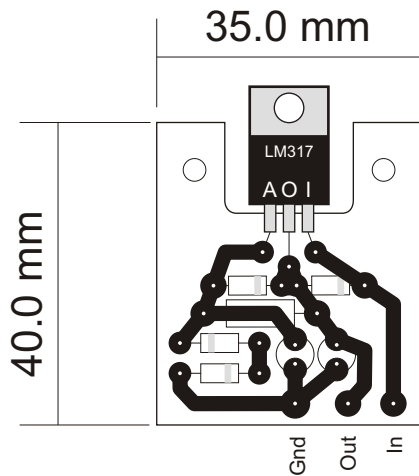
D4 1N4738A Zener Diode, 8.2v, 1W (1467575)

R1 100 Ohm Metal Film Resistor, 0.5W, 0.1%, Axial (1634025)

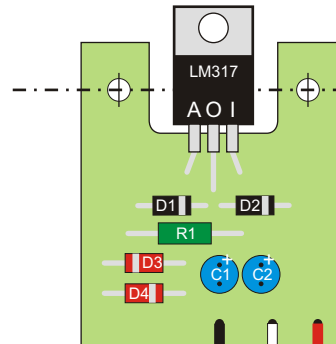
C1/C2 10uF Capacitors 35v, 20%, Radial leads 2mm spacing (1165526)

Technics SL-1200 Mk2/5 DIY Regulator

The labelling of the parts matches the schematic diagram and parts list.



PLAN
Connectivity
(Transparent Board)



POSITIONING

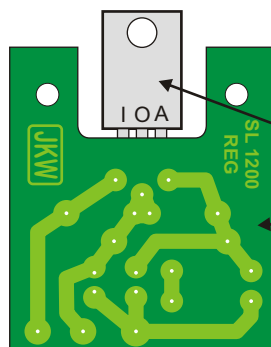
The Black plastic portion of the LM317 should sit equidistant around the Centre line between the two mounting holes.

Input from "J1" on the main PCB.

Output to "J3" on the Main PCB.

Ground lead, connect to the main ground fixing at the bottom left corner of main PCB.

Note "J2" is not used.



When soldering the LM317 in position make sure its rear face is level (flush) with the rear face of the PCB.

Tips:

- 1). The first part to fit is the LM317. You will have to spread the outer two legs slightly and bend the legs at unequal lengths. I found the easiest way was to spread them first so they matched the hole positions on the board, then grip across all three legs with a pointed pair of pliers and bend the outer two legs, which need to be shorter, first. Then grip just the centre leg and bend this separately to the longer length. Again lign it up with the holes on the board to get the lengths right, its less complicated than it sounds.
- 2). Make sure the Diodes/Zeners/Caps are oriented correctly when you fit them. In fact there is only the single resistor who's orientation is not critical, so take your time and double check the diagram top right before soldering.
- 3). If fitting to an unmodified deck, you will need an Aluminium spacer approx 4mm thick between the regulator and the mounting boss. This is to lift the board clear of the lip on the cable entry point of the deck.
- 4). Cut a rectangle of the insulation (without a hole) and remember to place it under the LM317 when fitting to the deck/spacer or it will short out against the metal.